

Flush Mounting ..... Page 1  
Surface Mounting ..... Page 2  
Gang Box Mounting (hard wired only) ..... Page 3

### 685 (Hard-wired) Shown

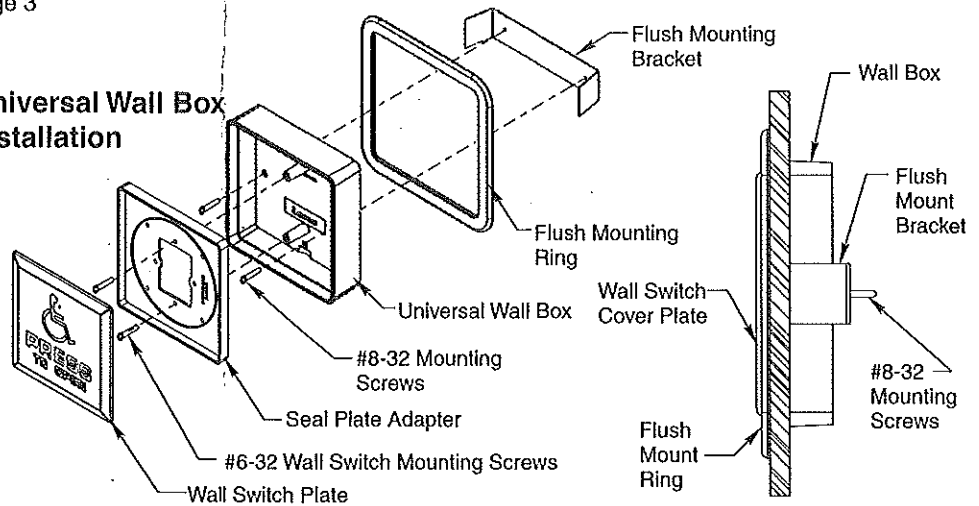
**Note:**  
For switch kits 574, 576, 692, 694:  
If mounting a 433MHz wall switch,  
FOLLOW programming procedure  
bottom right before mounting switch  
in wall.

### Flush Mount Installation

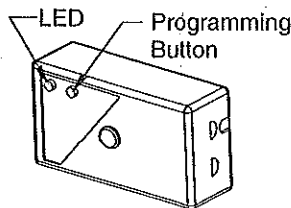
For all switches (Hard-wired or RF)

- Step 1.** Determine wall switch mounting location based on wall construction, applicable standards and intended use. In high use and abuse areas, a solid mounting surface or additional reinforcement may be required behind the box.
- Step 2.** Determine stud location in mounting area. Cut an access hole adjacent to stud for extra support. Access hole dimensions should be 6-3/4" square. You may trace around box as your guide.
- Step 3.** Punch out holes in box in areas shown designated "Mounting Screw Punch Out" See switch view at right.
- Step 4.** Slide the flush mounting ring over the mounting box.
- Step 5.** Thread two #8-32 screws through the pilot holes and into the retaining bracket. Do not tighten screws completely.
- Step 6.** Insert the mounting box and bracket into the access hole. Squeeze the sides of the bracket into the mounting box and gently force the bracket through the hole. Tighten both #8-32 screws until the assembly is held tightly to the wall surface.
- Step 7.** Assemble Seal Plate Adapter. Install #6-32 screws. Do not tighten. Pull Switch Lead wires through square hole in Seal Plate and connect to switch. Connect one lead to COM, and one lead to N.O.
- Step 8.** Assemble wall switch to Seal Plate Adapter allowing the #6-32 screws to protrude through the switch sub-plate. Use hex wrench provided to tighten #6-32 screws through small holes on wall switch face plate.

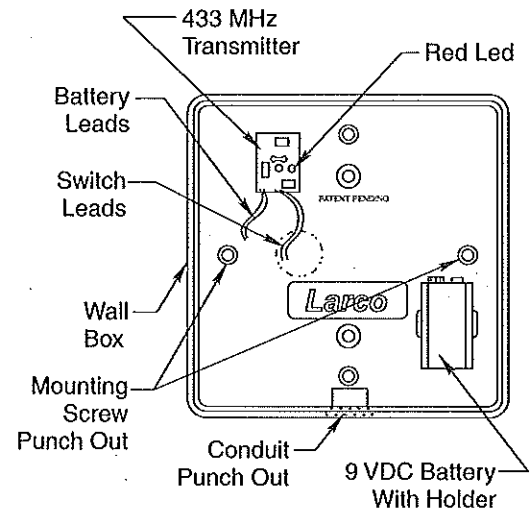
### Universal Wall Box Installation



### 433MHz Receiver



### RF Switch Kit 574, 576, 692 & 694



### Programming Transmitter(s) into Receiver Memory

The receiver can learn up to 12 transmitters. Follow the directions below to store this wall switch's transmitter into the 433MHz receiver located on the door operator. Perform this procedure before installing switch to wall.

1. Install 9VDC battery to transmitter and connect battery leads.
2. Press receiver's programming button for less than 2 seconds and release. Receiver LED changes from blinking red to solid green.
3. Activate and release transmitter once by pressing the wall plate to close wall switch or, if switch is not yet connected, touch the two switch leads together momentary. Verify receiver's LED changes to solid red. Receiver is now learning transmitter's code.
4. Wait a few seconds and activate the

transmitter a second time. The receiver's LED will blink green several times indicating it is ending its learning procedure. When it is ended, the receiver LED should resume blinking red.

### Deleting All Transmitters from Receiver Memory.

You can clear the receiver memory of all previously learned transmitters.

1. Press the receiver's programming button for more than 8 seconds until the receiver's LED starts blinking green. Release the programming button. The LED should now be blinking red.
2. The receiver's memory is now cleared. To learn new transmitters, follow the steps for programming transmitters into the receiver's memory.

Observe all manufacturers recommendations for safety and operation of their products. ANSI/BHMA standards that offer specific recommendations for each type and class of automatic door have been developed. To obtain a copy of the ANSI/BHMA standards that applies to your installation, visit [www.buildershardware.com](http://www.buildershardware.com) or [www.ansi.org](http://www.ansi.org).

## Surface Mount Installation

For all switches (Hard-wired or RF)

- Step 1.** Determine wall switch mounting location based on wall construction, applicable standards and intended use. In high use and abuse areas, a solid mounting surface or additional reinforcement may be required behind the box.
- Step 2.** Punch out holes in box in areas shown designated "Mounting Screw Punch Out" See switch view on reverse side of these instructions.
- Step 3.** Determine stud location in mounting area. Drill holes in mounting surface and into mounting stud.
- Step 4.** Insert appropriate fastener through box and into mounting surface and tighten securely. For mounting directly into a stud or solid wall, the recommended fastener is a #8-32 x 1" wood screw. For mounting into a hollow wall or surface, the recommended fastener is an #8-32 x 1" toggle bolt.
- Step 5.** Assemble Seal Plate Adapter. Install #6-32 screws. Do not tighten. Pull Switch Lead wires through square hole in Seal Plate and connect to switch. Connect one lead to COM. and one lead to N.O.
- Step 6.** Assemble wall switch to Seal Plate Adapter allowing the #6-32 screws to protrude through the switch sub-plate. Use hex wrench provided to tighten #6-32 screws through access holes on wall switch face plate.

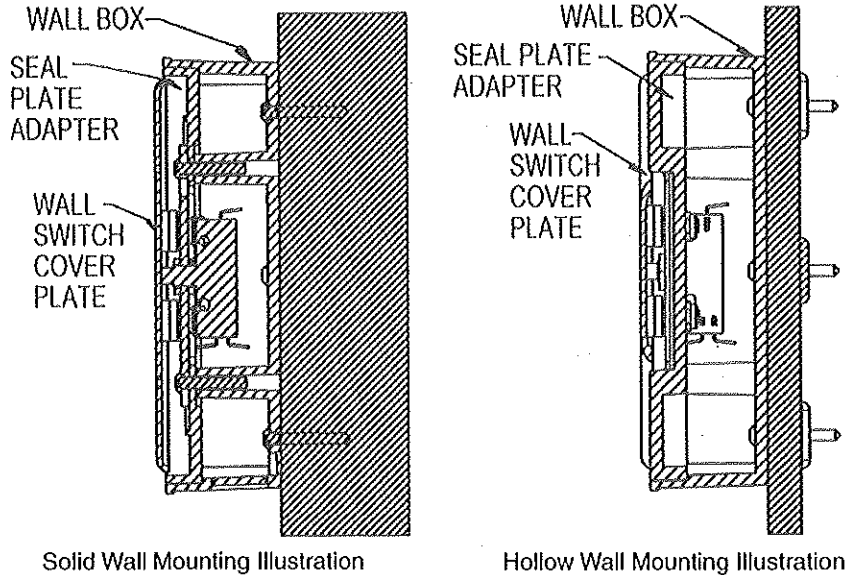
## Optional Surface mounting of Switch Box

### Note:

For switch kits 574, 576, 692, 694  
If mounting a 433MHz wall switch,  
FOLLOW programming procedure  
bottom right before mounting  
switch in wall.

685 (Hard-wired) Shown

Universal Wall Box Mounting



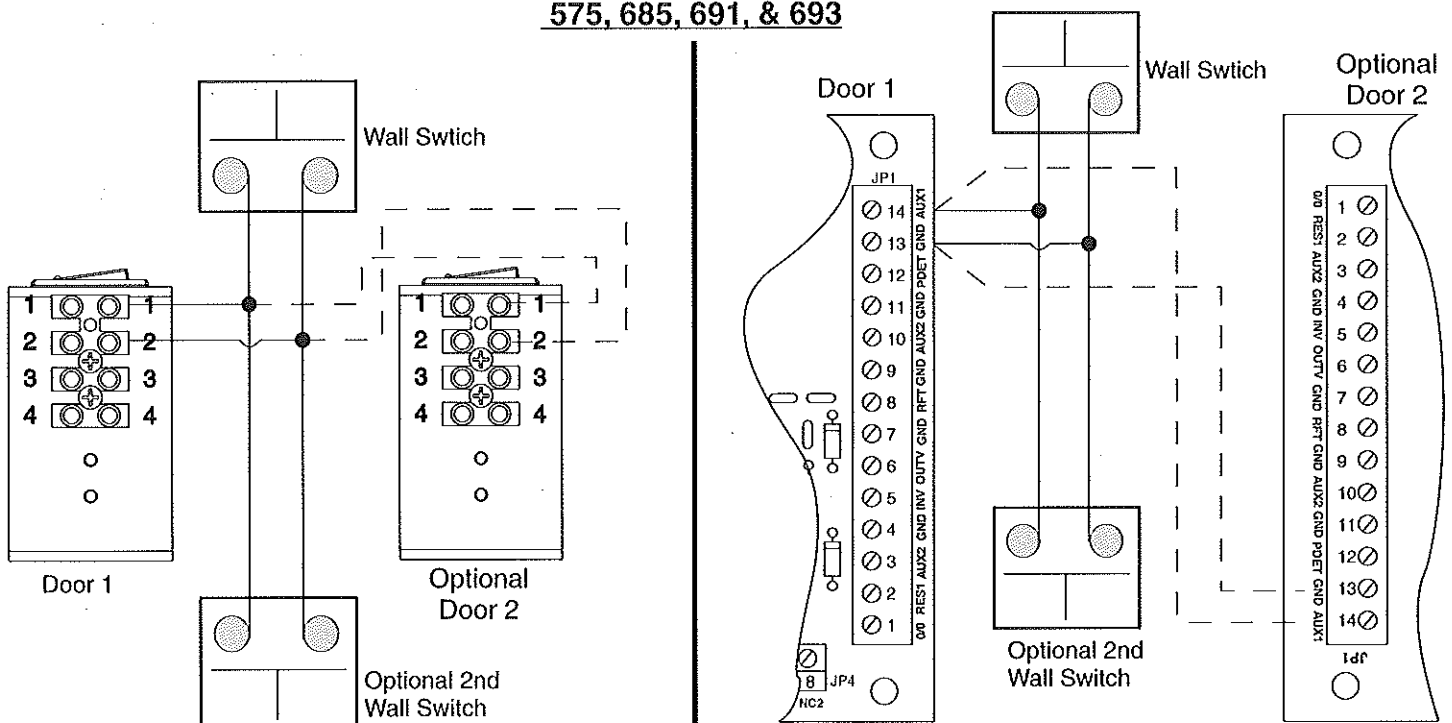
**Hard-wired Wall Switch Point to Point Diagram.**  
For other wiring options, see the individual product's wiring instructions.

5700 LEO™

SWITCH KITS

575, 685, 691, & 693

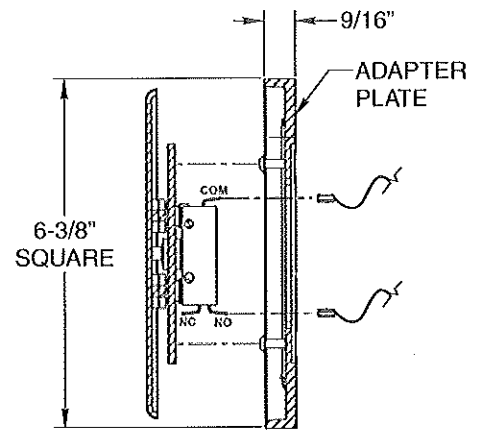
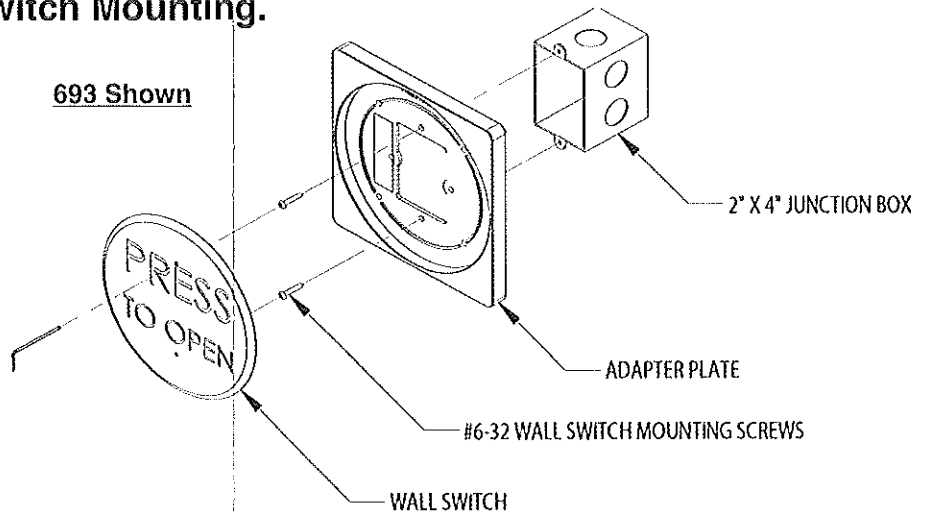
6900 PowerMatic®



**Note: Gang box mounting for Hard-wired Switches only.  
 Do not mount 433MHz switch kits in gang boxes.**

## 2" x 4" (Single Gang) Wall Switch Mounting.

- Step 1.** Install a 2" x 4" (single gang) mounting box in the area in which the wall switch is to be installed. Be sure the screws are vertically orientated and ensure there is adequate clearance on each side to accommodate the adapter plate.
- Step 2.** Wire the wall switch to the door controller using the normally open (NO) and common (COM) contacts (see switch drawing)
- Step 3.** Thread the enclosed #6-32 screws through the adapter plate and into the 2" x 4" junction box, tightening until approximately 1/4" remains visible.
- Step 4.** Slide the back plate of the switch over the screws and allow it to settle. Use the enclosed wrench to tighten and secure wall switch plate.
- Step 5.** Test for activation.



## 4" x 4" (Double Gang) Wall Switch Mounting.

- Step 1.** Install a 4" x 4" (double gang) mounting box in the area in which the wall switch is to be installed. Be sure there is adequate clearance on each side to accommodate the adapter plate.
- Step 2.** Wire the wall switch to the door controller using the normally open (NO) and common (COM) contacts (see switch drawing)
- Step 3.** Press the #6-32 screw inserts into the holes in the seal plate as shown with the hex head flush to the face of the seal plate on the side facing the wall switch.
- Step 4.** Thread the enclosed #6-32 screws into the adapter plate, tightening until approximately 1/4" of the threads remain visible.
- Step 5.** Thread the 4" x 4" mounting box screws through the seal plate adapter and into the 4" x 4" junction box as shown. Tighten.
- Step 6.** Slide the back plate of the switch over the #6-32 screws and allow it to settle. Use the enclosed wrench to tighten and secure wall switch plate.
- Step 7.** Test for activation.

